

Love, Hate and Murder: Commitment Devices in Violent Relationships

Anna Aizer¹

Pedro Dal Bó

Brown University and NBER

Brown University and NBER

May, 2008

Abstract

Many violent relationships are characterized by a high degree of cyclicity: women who are the victims of domestic violence often leave and return multiple times. To explain this we develop a model of time inconsistent preferences in the context of domestic violence. This time inconsistency generates a demand for commitment. We present supporting evidence that women in violent relationships display time inconsistent preferences by examining their demand for commitment devices. We find that no-drop policies – which compel the prosecutor to continue with prosecution even if the victim expresses a desire to drop the charges – result in an increase in reporting. No-drop policies also result in a decrease in the number of men murdered by intimates suggesting that some women in violent relationships move away from an extreme type of commitment device when a less costly one is offered.

¹ We wish to thank Laura Dugan for generously providing the data on prosecutorial policies and domestic violence services. We also thank Thomas Dee, Carlos Dobkin and Robert Pollak as well as seminar participants at Brown and Harvard Universities and the NBER. This work was supported by grant number 1R03HD051808-01A2 from the National Institute of Child Health and Human Development (NICHD) and grant number 0648700 from the National Science Foundation (NSF). Its contents are solely the responsibility of the authors and do not necessarily represent the official views of the NICHD or the NSF.

1. Introduction

Everyday roughly 14 thousand women in the US are battered and 4 are killed by their intimate partners. An interesting and often puzzling aspect of violent relationships is its cyclical nature (Walker, 1979; Strube, 1988). Battered women who leave and seek the help of authorities in pressing criminal charges against their partners often return to the abuser and ask the authorities to drop the charges, despite the high probability of future victimization. The well-documented fact that women repeatedly change their mind after leaving or reporting the batterer suggests that the idea of a rational agent with stable preferences weighing the benefits and costs of reporting abuse and leaving may not be the appropriate framework for studying domestic violence. Rather, a framework in which preferences change with battering may be more fitting.

In this paper we propose a model of time inconsistent preferences to study domestic violence. The victim's preferences change with time from the battering incident. That is, right after a battering incident, while in shock and fear, a woman's valuation of the relationship is low but increases as time passes. This is consistent with empirical evidence on how emotional states affect the desirability of different goods or actions (see Loewenstein, 1996; Read and van Leeuwen, 1998; Loewenstein et al, 2001; Gilbert et al. 2002; Wilson and Gilbert 2003). This model can explain how a woman might leave her partner after a battering incident with the intention of not returning, but after some time, her emotional attachment resurfaces and she returns.

In principle, models with changing but time consistent preferences (ie: traditional models of rational addiction or the cue theory of consumption) can also explain cyclical

behavior.² However, the key difference between time consistent and inconsistent agents is that the latter, if aware, will try to discipline their future behavior by committing themselves to a certain future action. In the case of smoking, for example, a person may wish to commit him or herself to quitting and therefore may welcome devices such as higher taxes (Gruber and Koszegi, 2001; Gruber and Mullanaithan, 2002). In the case of domestic violence, a woman may want to commit herself not to return to the batterer and thus welcomes policies that commit her to doing so.

In this paper we study the demand for such a commitment device: no-drop policy of prosecution. This policy stipulates that once a woman brings charges against a batterer, the prosecution will continue regardless of her stated wishes to drop the charges. In this way, no-drop policies offer a commitment device for women who want to terminate a violent relationship but fear that their intentions may change.³

We develop a model of time inconsistent preferences in the context of violent relationships that yields two predictions. First, if women are sufficiently time inconsistent, no-drop policies will increase reporting of battering incidents. That is, women will be more likely to report violent partners when they are offered a device that will enable them to commit to prosecuting them. Second, no-drop policies will reduce the number of men murdered by intimates as women in violent relationships will substitute an expensive private commitment device (murder of the batterer) for a cheaper public commitment device provided by the no-drop policy.

² For consumption cycles in rational addiction models see Ryder and Heal (1973), Becker and Murphy (1988), Dockner and Feichtinger (1993) and Palacios-Huerta (2003). For the cue theory of consumption, which can also yield cyclical behavior, see Laibson (2001).

³ Women may also demand commitment devices for strategic reasons: it may shield them from violence intended to make them change their decision to prosecute and leave the battering partner. The evidence we present later, however, is not consistent with this alternative theory.

We follow this with empirical estimation of the impact of no-drop policies on reporting and intentional intimate partner homicide. The results provide evidence in favor of our theory of time inconsistent preferences in battering relationships. We find that no-drop policies lead to a 14 percent increase in 911 calls reporting domestic violence, and a 24 percent increase in the number of men arrested for domestic violence (a second measure of reporting). This is consistent with the model's prediction that women in battering relationships demand commitment devices if they are sufficiently time inconsistent. We also find that no-drop policies lead to a 15-22 percent decline in the number of *men* intentionally murdered by intimates, a large fraction of whom have documented histories of battering. Our finding that no-drop policies reduce the number of men murdered by intimates provides evidence that battered women will move away from an extreme type of commitment device –murder– when a less costly one is offered in the form of no-drop prosecution. Finally, we find no evidence that no-drop policies lead to a reduction in domestic violence as measured by the number of women killed by intimate partners or the number of women admitted to the hospital for an assault. This suggests that the reduction in the number of men being murdered by intimates can not be explained by a reduction in domestic violence due to no-drop policies (as would be the case if the demand for commitment had a strategic foundation). Nor do we believe that the reduction can be due to underlying changes in the type or composition of violent relationships as the effect appears to be immediate.

The contribution of this paper is twofold. First, we explain the cyclical nature of battering relationships in the context of time inconsistent preferences. The economic literature on the subject of domestic violence is somewhat limited and explains violence

under the assumption of time consistent rational agents engaged in a household bargaining problem.⁴ The main distinction between our work and previous work is our assumption of time inconsistent agents.

There exists an extensive literature on time inconsistency of time-preferences that can trace its roots to Strotz (1956) and Phelps and Pollak (1968). Yet most of the literature has focused on present biased preferences as in Ainslie (1991), Loewenstein and Prelec (1992), Laibson (1997) and O'Donoghue and Rabin (1999) among others. Our model differs in that the time inconsistency of preference is not in regards to discounting but in regards to the valuation of possible choices in a given period.

Our second contribution is that we provide new empirical evidence consistent with the theory of time inconsistent preferences, adding to the growing non-experimental empirical evidence of time inconsistency and the demand for commitments, see Angeletos et al. (2001), Madrian and Shea (2001), Gruber and Mullainathan (2002) and Della Vigna and Malmendier (2006).

The fact that the introduction of no-drop policies reduces the number of men murdered by intimates has interesting implications outside domestic violence. It implies that when agents are time inconsistent, the analysis of policies that incorporate a commitment element should consider the effect on the demand for alternative commitment devices. In this case, a public policy that offers a cheap commitment device results in a decrease in the demand for a costly private commitment device.

⁴ Tauchen et al (1991) provide a non-cooperative model of families that incorporates the possibility of violence and study the impact of future changes in male and female incomes among 125 women in a battered women's shelter in Santa Barbara. Aizer (2006) estimates the impact of the shrinking male-female wage gap on violence against women and the impact of domestic violence on birth outcomes. Finally, Farmer and Tiefenthaler (1996) provide a signaling model of leaving a violent relationship and Pollak (2002) presents a model of intergenerational transmission of domestic violence.

The rest of this paper is laid out as follows. In section 2 we provide background information on the prevalence and costs of domestic violence in the US. In section 3 we describe the cyclical nature of battering. In section 4 we describe no-drop policies and present anecdotal evidence in favor of the idea of time inconsistent preferences. In section 5 we present a model of domestic violence with time inconsistent preferences and examine the theoretical effect of no-drop policies on violence and reporting. In section 6 we present our empirical estimates of the impact of no-drop policies on domestic violence, reporting, and intimate partner homicide.

2. The problem of battering

Domestic violence is a problem of considerable social importance in the US given its prevalence and the severity of its impact on the health and well-being of those affected. In 2001, women in the US reported 590 thousand incidents of rape, sexual and other assault at the hands of intimate partners and on average 4 women are killed each day by a partner. Though the number of reported assaults is high – it is likely an underestimate. Survey data suggest that only one half to one fifth of such assaults are reported to the police.⁵ Data gathered through personal surveys and medical professional assessments suggest that between 8 and 14 percent of women have been assaulted in the past year by an intimate, with lifetime prevalence estimated at 25 - 30 percent (Jones et al., 1999). For women, intimate violence accounts for 33 percent of all homicides.

According to a report issued by the World Health Organization (WHO) in 2002, “intimate partner violence occurs in all countries, irrespective of social, economic,

⁵ Bureau of Justice Statistics (1998); 2002 Minnesota crime survey; Tjaden and Thoennes (2000b), data are from the NCVS – National Criminal Victimization Survey.

religious or cultural group.” Findings from population-based surveys of women from 35 countries around the world suggest that between 10 and 69 percent of women have been physically assaulted by an intimate male partner at some point in their lives, with 3 to 27 percent assaulted in the last year.

The costs associated with domestic violence are significant. Women who are victims of domestic violence suffer directly both physically and emotionally from the injury itself (Koss et al, 1991). One third of women injured by an intimate required medical attention and of those, 26 percent were hospitalized overnight for their injuries (Tjaden and Thoennes, 2000a). The CDC estimates that the direct medical costs associated with domestic violence amount to roughly 4 billion annually (CDC, 2003).

Domestic violence also diminishes a woman’s ability to work outside the home. The CDC estimates that in 1995, victims of physical assault lost on average 7.2 days of work outside the home as a direct result of their injuries and 8.4 days of household work, yielding total annual costs in terms of lost earnings in excess of \$.7 billion. Women who have been victims of domestic violence are more likely to use welfare, have longer unemployment spells, and experience higher job turnover than those who have not (Lloyd and Taluc, 1999; Browne et al., 1999).

In addition, domestic violence generates significant negative externalities born primarily by children living in the household. Parker et al. (1994) study 1200 births to women in Boston and find that women who were the victims of intimate violence were at significant risk for low-birthweight, infections and anemia, controlling for a host of other potential confounders. Aizer (2007) employs instrumental variable methods to estimate the impact of violence against women on birth outcomes and finds that victimization

while pregnant significantly increases the likelihood of a low birth weight birth. In addition, children who witness violence against their mothers (between 50 and 64 percent of all abused women report that their children routinely witnessed the abuse) are at increased risk for developmental problems including high levels of anxiety and depression, low self-esteem, and poor school performance - similar to those who have themselves been abused (WHO, 2002).

3. The cyclical nature of violent relationships

Despite the high costs of domestic violence in terms of physical and emotional injury, lost days of work and the negative impact on children, many victims refuse to leave their batterers or seek the help of authorities. Among the reasons cited by battered women for why they remain are: love of their partners, financial dependence, lack of support by third parties and fear for their safety or the safety of their children (WHO, 2002; Sagot, 2000; Strube, 1988 and references therein). In a study of victims of domestic violence in Omaha, Nebraska, nearly 60 percent of women stated that one of the reasons they remain in relationships is their love for their abusers (Dunford et al, 1990). The decision to leave also depends on the severity and frequency of the beatings (Gelles, 1976; Strube, 1988). Reasons for not reporting abuse to the authorities include considering the incident a private matter, not wanting the police or courts involved, fear of perpetrator, wanting to protect the perpetrator or the relationship and believing that the police could or would not do anything (Bureau of Justice Statistics, 1998; Tjaden and Thoennes, 2000). While these reasons are consistent with the idea of rational agents

weighing the benefits and costs of leaving or reporting, a more complex picture appears once we consider the dynamics of battering.

While some women refuse to leave their batterers, perhaps just as common are women who leave their batterers multiple times only to return despite the high probability of future victimization. Past studies have found that between 25% and 75% of women seeking help in shelters return to their partners shortly after leaving the shelter (Strube, 1988). When women do leave, they typically do so only after years of abuse. Tjaden and Thoennes (2000) found that victims of physical assault suffered an average of 4.5 years of victimization by the same partner, with 26.6% of the women suffering more than five years. On average, women suffer seven assaults at the hands of the same partner.

Just as women leave and return to their batterers, it is also common for women who report their partners to the authorities to change their mind afterwards, dropping the charges and returning to their partners, only to be battered again in the future. Studies in the 1970s and 1980s found that among women whose husbands had been arrested for assault against them, between 50 and 90 percent requested that the charges be dropped by the prosecutor, despite evidence that women who drop charges are four times more likely to suffer future violence than those who do not.⁶

Studies by psychologists provide additional evidence of this cyclical pattern (see Walker, 1979). Reasons provided for dropping charges and returning include: a belief that the batterer wants to change, emotional attachment, economic needs, pressure from others and fear. Interestingly, women who seek help in shelters underestimate their probability of returning to the abuser (Griffing et al., 2002). Evidence suggests that after

⁶ See Parnas (1970), Field and Field (1973), Ford (1983) and Ford and Regoli (1992).

leaving, women may experience an increased emotional attachment to their batterers, making them more likely to return (Dutton, 1995; Griffing et al., 2002). Over time women seem to learn the importance of emotional attachment: Griffing et al (2002) find that women with past experience of leaving and returning assign more importance to emotional attachment as a reason to return.⁷

The well-documented fact that many women change their minds after leaving or reporting their partners suggests that the idea of a rational agent with stable preferences weighing the benefits and costs of leaving or reporting may not be appropriate. We argue that the dynamics of battering indicate that women's preferences change as time from the battering incident elapses. Right after the incident, the costs of remaining in the relationship are clear to the woman and her valuation of the relationship will be low. As time passes her emotional attachment to the batterer may reappear as fear is replaced by other feelings such as loneliness. Our assumption that women value the relationship less when fearful is consistent with psychological evidence on how emotional states affect the desirability of different goods or actions (see Loewenstein 1996; Read and van Leeuwen, 1998; Loewenstein et al., 2001; Gilbert et al., 2002; Wilson and Gilbert, 2003). We propose to model women in battering relationships as having time inconsistent preferences.

The cyclical character of battering relationships could be explained without relying upon changing preferences. Women could leave and return in response to changes in the likelihood of violence. Women might also leave and report as a tool to improve their

⁷ They did not find differences across women in the other reasons for returning.

bargaining position in the relationship without intending to end the relationship.⁸

However, neither can explain the large number of women who initially report that they do want to end the relationship but finally return to their batterers. A third explanation may be that women have limited information about their outside opportunities and may return after they obtain better information. However, this is not completely consistent with the fact that battered women in shelters highly underestimate the likelihood of returning. Finally, cyclical behavior can in principle be explained with changing but time consistent preferences as in the rational theory of addiction (Becker and Murphy, 1988; Dockner and Feichtinger 1993; and Palacios-Huerta 2003) and the cue theory of consumption (Laibson, 1997).

A key difference between these alternative explanations of the cyclical nature of battering relationships and our theory of time inconsistent preferences concerns the demand for commitment devices. With time inconsistent preferences there is a tension between the intentions of a woman right after a battering incident and the same woman some time after. If a woman knows that her intentions will change in the future and she dislikes the decision that she will make in the future, she may desire to commit herself to a course of action now. In contrast, these alternative explanations do not generate a demand for commitment. In the rest of the paper we provide both anecdotal and quantitative evidence that is consistent with a model in which battered women do demand commitment devices by examining the effect of a policy that commits women to prosecute their batterer. This no-drop policy is described in the next section.

⁸ Farmer and Tiefenthaler (1996) develop a model to explain that women might leave their abusive partners to signal that they are willing and able to end a violent relationship. However, this model explains less well the extreme cyclicity that is observed with women leaving and returning multiple times.

4. No-Drop policies

Over the past 30 years, local prosecutors and legislators have adopted a series of legal innovations with the objective of increasing prosecution of domestic violence. One of the most common and controversial is a no-drop policy which compels the prosecutor to continue with prosecution even if the victim expresses a desire to drop the charges and ceases to cooperate with the prosecution. In a survey of 50 of the largest US cities, in 1976 only one city (Omaha, Nebraska) had a no-drop policy and by 1996, all but six cities had a no-drop policy (Table 1.)

In this paper we offer a rationale for adopting no-drop policies that is based on the tension between the victim's intentions at different points in time. Her preferences for prosecuting and ending the battering relationship are strongest right after a battering incident. Over time, her preferences change such that she no longer wishes to prosecute and she has often reconciled with the abuser. Hence, if at the time of the battering incident she knows that she will forgive her partner and drop charges in the future, she is less likely to report him at that time. But if her power to drop charges in the future is removed (because of a no-drop policy), she may be more willing to report him. In this way, the no-drop policy provides the victim with a commitment device to overcome the time inconsistency of her preferences.

Evidence from surveys of victims supports the idea of time inconsistency of preferences and the value of no-drop policies. Smith et al. (2001) presents the following comments by victims in cities with "no-drop" policies: "The prosecutor did not listen to me when I recanted my story. They continued to prosecute. In the long run, I am so glad.

He got punished.” Another woman states “If it hadn’t been for the laws of arresting and prosecuting, I would have been back with him. I am glad they stuck with it and enforced the laws.”

To our knowledge, there is no scientific study of the effect of no-drop policies on violence or reporting.⁹ However, there is evidence that this policy did represent a significant change in policy and led to an increase in prosecutions and convictions (Smith et al., 2001).

5. The model

In this section we present a simple model of domestic violence in which the woman displays changing preferences regarding the value of the relationship and is aware of this. The objective of this model is to show how providing a commitment device in the form of no-drop policies would affect both a man’s behavior and a woman’s response to it. The model provides one surprising result: implementation of no-drop policies leads to a reduction in the number of batterers who are murdered. The reason is that murder is an extreme form of a commitment device. When the government provides a cheaper one, women who were willing to kill their partners to avoid returning to them, will now report them to the authorities instead. In addition the model shows that a no-drop policy results

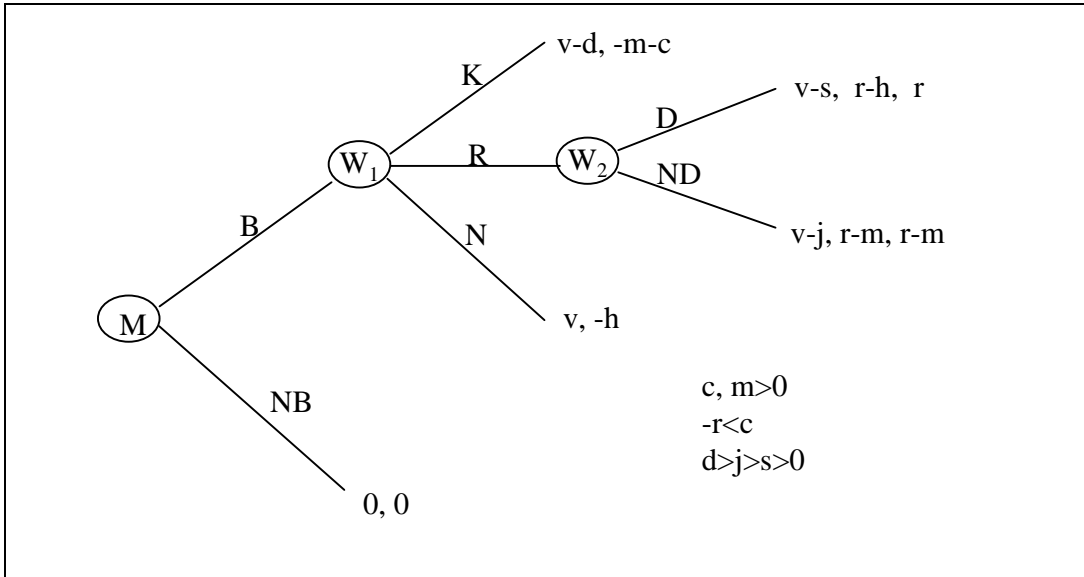
⁹ Perhaps the closest is that of Dugan, Nagin and Rosenfeld (2003) who incorporate no-drop policies among other prosecutorial and police policies to create an index of “exposure reduction.” They find that too little exposure reduction may increase intimate partner homicide, while greater amounts can reduce it. Other work on the effect of policies on domestic violence include Tauchen and Witte (1995) who study the impact of different arrest policies on future violence; Dee (2003) and Stevenson and Wolfers (2006) estimate the impact of unilateral divorces laws on intimate partner homicide and suicide; Iyengar (2007) estimates the impact of mandatory arrests on intimate partner homicide.

in an increase in reporting if the degree of time inconsistency is large enough and has an ambiguous effect on the amount of battering.

The model without a no-drop policy is depicted in Figure 1. First the man chooses between battering (B) or not (NB). Battering gives him a utility of v . We assume that this utility is randomly distributed in the real numbers –with c.d.f. $G(v)$. This assumption captures the fact that some men really enjoy battering while others dislike it. If no battering occurs the game ends and the players receive a normalized payoff of zero. If battering occurs, the woman has three options: kill her partner (K), do nothing (N), or report him to the authorities (R). If she kills him, he suffers a cost d for being dead,¹⁰ and she faces the cost c of being prosecuted by the authorities and the loss m of the value she assigns to the relationship (this includes both the sentimental and economic value of the relationship). If she does nothing, the relationship continues. Since she has been battered her valuation of the relationship is diminished by the amount h . We assume that this utility is randomly distributed in the positive real numbers –with c.d.f. $F(h)$. This assumption captures the fact that battering affects women’s valuation of the relationship differently. We assume that the man does not know the value of h when he makes his decision.

¹⁰ We do not assume the cost of being dead is infinite since some men may be willing to batter their wives even under the serious threat of being killed by them.

Figure 1: Game Tree



We assume that reporting the battering partner to the authorities has a direct benefit (or cost) r to the woman. She benefits from reporting him to the authorities if the police scare him or remove him while he is still violent. Reporting him to the police may also have costs, resulting in a negative r . He may get upset and violent or there may be stigma costs associated with police intervention. Therefore, the parameter r may be positive or negative depending on whether the direct benefits or costs of reporting prevail (we assume that $-r < c$, that the cost of killing him is greater than the cost of reporting him).

If she reports him, the legal procedure starts and a new self of the woman (W_2) decides in period two whether to drop charges (D) or not (ND). Her new self (W_2) has a different valuation of the relationship than the valuation of the previous self (W_1). The payoffs of these two selves (W_1 and W_2) are written in the second and third place, respectively, in the payoff vectors for the actions D and ND. Both selves obtain the same

utility level from ND and continuing with the legal procedures, $-m$ in addition to r .¹¹ The first self assigns a value of $-h$ to dropping the charges and staying in the relationship, while the second self values it as if nothing had happened, 0 . These payoffs are in addition to the direct benefit of reporting r . Note that the preferences between the woman's selves differs in h : the larger h , the greater the degree of time inconsistency displayed by the woman.

Finally, the man (whose payoff is indicated in the first place of the payoff vector) suffers a cost of s if the woman reports him and then drops the charges and suffers a cost of j if the woman does not drop the charges. This parameter represents the expected disutility of going to jail.

We assume that the parameters c , d , j , m and s are positive. In addition, we assume that the worst punishment is death, followed by jail and then arrest when it is not followed by prosecution ($d > j > s$).

If a no-drop policy is in place the game is the same with the exception that the second self does not have the option of dropping the charges. That is, once she reports him she is committed to prosecuting him.

We study next how a no-drop policy would affect the behavior of the players. First, we provide a description of equilibrium behavior with and without such a policy. We follow this with a comparison of the two situations in terms of battering, and the woman's response to it.

¹¹ Remember that payoffs are normalized so as to have the utility if no battering occurs equal to zero.

5.1. Without a “no-drop” policy:

The subgame perfect equilibrium can be solved easily by backwards induction. W_2 always drops the charge since $r-m$ is lower than r . Knowing this W_1 must choose among kill (K), report (R) and do nothing (N). Her decision will depend on the disutility of remaining in a battering relationship (h) and whether reporting him has direct benefits or costs regardless of what she does later (r positive or negative). If r is positive, reporting him when she will drop the charges later is always better than doing nothing. Thus she compares K and R. She will choose to report him if $r-h > -m-c$, (the utility from reporting exceeds that of killing him). Thus, the woman reports the batterer with probability $F(r+m+c)$ and kills him with the complementary probability. If r is negative, reporting him when she will drop the charges later is always worse than doing nothing. Thus she compares K and N. She will choose to do nothing if $-h > -m-c$. Thus, the woman does nothing with probability $F(m+c)$ and kills him with the complementary probability. Figure 2 shows the equilibrium response to battering for both positive and negative r and the corresponding vector of payoff for the players as a function of h .¹²

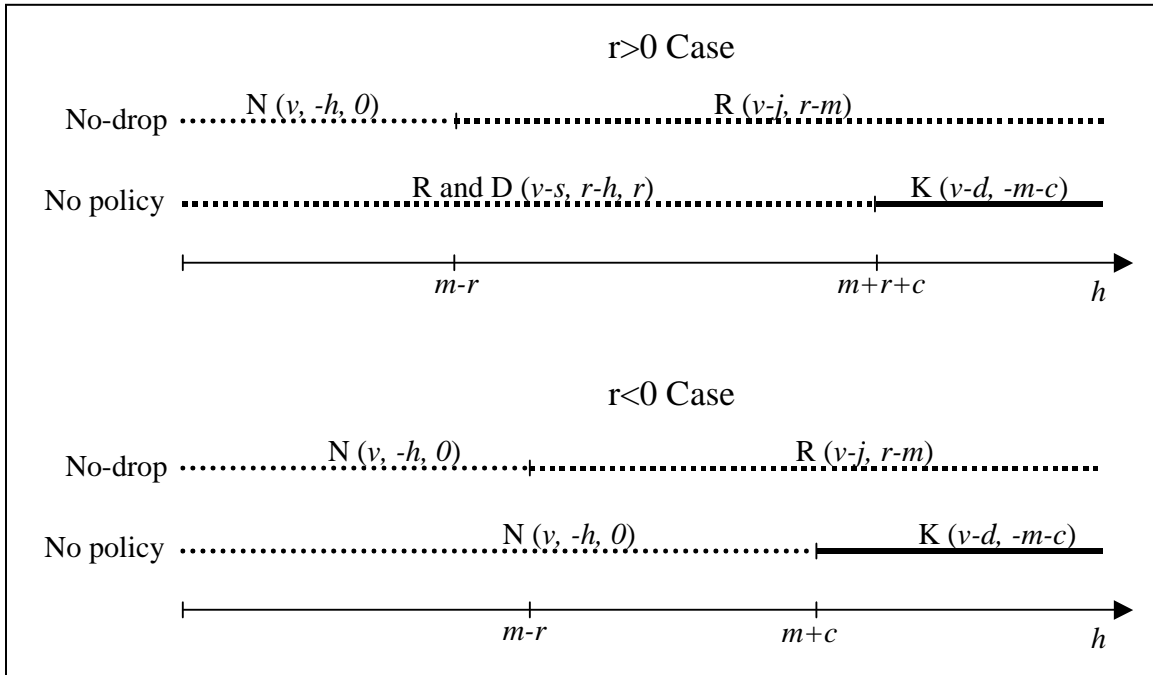
The decision of the man will depend on his expectation of the woman’s response to battering. Given the distribution of men’s taste for domestic violence, we have that a proportion $1-G((1-F(r+m+c))d+ F(r+m+c)s)$ will choose to batter if r is positive.

5.2. With a no-drop policy:

¹² We do not duplicate the payoff of the two selves when they coincide.

The main difference between the case without a no-drop policy and with such a policy is under the latter, reporting is always better than killing. This follows from the fact that W_2 cannot drop the charges and reporting the man is less costly than killing him ($-r < c$). Thus she compares N and R. She will do nothing if $-h > r - m$. Thus, the woman does nothing with probability $F(m-r)$ and reports him with the complementary probability. Note that the probability of reporting him is increasing in r and decreasing in m . Then, we have that a proportion $1 - G((1 - F(m-r))j)$ of men will choose to batter.

Figure 2: Equilibrium Actions for the Woman



5.3. The effects of the “no-drop” policy:

From the comparison of the ranges of h that result in a battering man being killed we obtain the following proposition. The result follows directly from Figure 2.

Proposition 1: A no-drop policy reduces the probability that a battering man is killed.

The intuition for this result is as follows. Without a no-drop policy the woman knows that she will drop the charges in the future, therefore reporting him to the authorities will not end the relationship. The only way she has to commit herself to ending the relationship is by killing him. She will do so if her valuation of her future life with the batterer ($m-h$) is low enough. If instead a “no-drop” policy is in place, reporting him to the authorities serves as a commitment device since she will not be able to drop charges.

From Figure 2 we can also study the effect of the “no-drop” policy on the reporting of battering.

Proposition 2: A no-drop policy increases the reporting if the degree of time inconsistency is large enough ($h > m-r$) but may decrease it otherwise.

If reporting a batterer to the police provides a short run cost to the woman but no benefit ($r < 0$) the intuition is straight forward. The woman knows that without the policy she will drop the charges later and thus will not report him after the battering. If instead she cannot drop the charges later she may be willing to report him as a way to commit herself to ending the relationship. Moreover, a no-drop policy may increase reporting since some women (those with an extremely high h) will decide to report the batterer instead of killing him.

Contrary to what would be obtained under the assumption of stable preferences in this model, restricting the set of choices attached to reporting for a woman with unstable preferences may actually increase the reporting of battering incidents. However, when the degree of time inconsistency is sufficiently low ($h < m-r$) and there are short run benefits of reporting ($r > 0$) no-drop policies actually decrease reporting. In this case, women are

willing to report battering to obtain the short run benefit but are not willing to commit to prosecution, hence, they would report without a “no-drop” policy but not with such a policy in place.

Proposition 3: A no-drop policy has an ambiguous effect on the amount of battering.

The decision to batter depends on women’s response to battering. On the one hand, from proposition 1, we know that a “no-drop” policy will result in a lower probability of the batterer being killed. By reducing the probability of the harshest punishment possible, a “no-drop” policy can actually make battering more attractive. In addition, such a policy may result in fewer cases reported if the degree of time inconsistency is small, which would also make battering more attractive. On the other hand, there are cases in which a “no-drop” policy will increase the number of cases reported and prosecuted since charges cannot be dropped, and this would make battering less attractive. The total effect will depend on the relative strength of the different forces and can only be determined empirically.

While this simple model of domestic violence shows that the effect of no-drop policies on battering is theoretically ambiguous, its effect on the murder of batterers is not. When a woman displays time inconsistent preferences and exhibits some degree of sophistication regarding her inconsistency (eg, she can anticipate the inconsistency) she may be willing to commit herself to ending the relationship. If the government does not provide such a commitment option, she may prefer to kill her batterer rather than remain in the violent relationship. Hence, a non-ambiguous result of the model is that “no-drop” policies diminish the number of batterers murdered by their partners.

Moreover, if preferences display a large enough degree of time inconsistency, the effect of no-drop policies on reporting is positive since women may start reporting knowing that they will not be able to drop charges in the future.

6. Empirical Analysis

In this section we estimate the impact of no-drop policies on intimate partner homicide, violence against women and the reporting of battering. We proceed in two stages. First, we estimate the impact of no-drop policies on intimate partner homicide using data on 49 of the 50 largest cities in the US for the period 1976-1996 (population 44 million).¹³ Second, we estimate the impact of no-drop policies on less severe violence and reporting for the seven largest counties in California (population 20 million). For the California analysis, violence is measured by the number of women admitted to the hospital for an assault. Reporting is measured as both 911 calls alleging domestic violence and arrests for domestic violence. We rely on California data for the second analysis because of data availability.

6.1. The impact of no-drop policies on intimate partner homicide

6.1.1. Data

Data on intentional intimate and non-intimate homicides come from the FBI Uniform Crime Reports Supplemental Homicide Reports (SHR) 1976-1996. A homicide was considered an intimate partner homicide if the assailant was a husband (wife), ex-

¹³ We drop Baltimore from the analysis due to data availability.

husband (ex-wife), common law husband (common-law wife), or boyfriend (girlfriend). Homicide by an ex-boyfriend (ex-girlfriend) is not recorded. The small number of intimate partner homicides in which the victim and assailant were of the same sex was dropped. These data exclude unintentional or negligent killings – all homicides included here were intentional. Intimate partner homicide figures were adjusted by the FBI for missing data on relationship assuming underreporting independent of sex, race and marital status of the victims.¹⁴ We keep all homicide victims between the ages of 20 and 55 (the age group for which intimate homicide is most prevalent). Appendix Figure 1 includes histograms of the number of male and female intimate partner homicides in the 49 cities over this period.

Figures 3 and 4 display trends in intimate partner homicide for the nation as a whole and the 49 cities in our sample over time. The trends are very similar. While the annual number of female intimate partner homicides nationally has declined slightly from 1500 to 1250 over this 20 year period, the number of men killed by partners has declined dramatically from 1400 to less than 500 annually. Other studies have shown that more than half of men killed by their partners had documented histories of battering.¹⁵ If we interpret the number of women killed by intimates as a reflecting the amount of underlying domestic violence, then the fact that this number has remained relatively constant suggests that the decline in the number of men killed is not attributable to a decline in domestic violence.

¹⁴ This would result in an over-reporting of intimate homicide victims if stranger homicides are less likely to have missing data on relationship to the assailant.

¹⁵ A study conducted in Georgia of 226 female inmates imprisoned for having killed an intimate partner found that 90 percent of women claimed that the victim assaulted or abused her at the time of the crime and in more than 50 percent of the cases there was a record of a history of domestic abuse (Haley, 1992).

The homicide data are merged with information on prosecutorial and police policies regarding domestic violence, and services for domestic violence victims in these cities.¹⁶ We also include the following controls: county wages and the employment to population ratio from annual Bureau of Economic Analysis employer surveys, and population share black, male and female labor force participation and educational attainment from the decennial census (intercensal years are linear interpolations).

6.1.2. Exogeneity of the timing of No-Drop Policies

In this section, we explore the exogeneity of the timing of no-drop policies. Specifically, we estimate a discrete time hazard model of time to adoption, following Allison (1982). The results are presented in Table 2. Measures of previous violence (both intimate and non-intimate) do not appear to predict time to adoption, nor does the adoption of other policies (mandatory arrest policies, police domestic violence unit) or the provision of services (shelters and hotlines). Of the seventeen controls included (in addition to year and city fixed effects), two significantly affect the timing of adoption: male labor force participation rates and male college completion, though in opposite ways. This evidence suggests that there is no systematic variation in the timing of adoption of no-drop policies that would bias the results.

6.1.3. Results

¹⁶The data on prosecutorial policies and services were collected by Laura Dugan, Daniel Nagin and Richard Rosenfeld for the National Institute of Justice and the National Consortium on Violence Research. See Dugan, Nagin and Rosenfeld (2000) and (2003). They included 50 cities in their analysis, but because of difficulty linking data to Baltimore city, we dropped it from the analysis.

In Figure 5 we present the average number of men and women killed by intimates over this period in the years immediately before and after a no-drop policy was adopted ($t=0$ in the year the policy is adopted, $t=-1$ in the year before and $t=1$ in the year after).¹⁷ As is evident from the graph, there is a decline in the number of men killed by women in the years immediately after the adoption of a no-drop policy. In contrast, the number of women killed by their partners appears, if anything, to increase with the adoption of no-drop policies (though not significantly) and then decline. Prior to the adoption of the policy, there does not appear to be any downward trend in the intimate homicide rate suggesting that adoption of the policy does not coincide with underlying trends.

In Table 3 we present estimates of the impact of no-drop policies on male and female victims of intimate partner homicide controlling for other characteristics that could also affect intimate homicide rates. We employ log-linear (Panel A) and negative binomial regression models (Panel B) following Grogger (1990).¹⁸ All regressions are weighted by city size.

In column 1 of Table 3 are estimates of the impact of no-drop policies on men murdered by intimate partners controlling for city and year fixed effects, the natural log of the population of men age 20-55, the share black, and the rate of non-intimate homicides. The estimate of the impact of no-drop policy of -0.201 is statistically significant. No-drop policies have a negative (-0.100) but insignificant impact on

¹⁷ Numbers represent the (weighted) average number of homicides per city for the 30 cities that passed a no-drop policy 1981-1994.

¹⁸ Poisson models were rejected due to over-dispersion (the variance exceeded the mean in these data). When there is over-dispersion, Poisson estimates are inefficient with standard errors biased downward. The negative binomial distribution can be thought of as a Poisson distribution with unobserved heterogeneity which, in turn, can be conceptualized as a mixture of two probability distributions, Poisson and Gamma.

homicide of females by intimate partners (column 2).¹⁹ In columns 3-6, we present the results of regressions that include additional controls: average area wages, the employment to population ratio, AFDC benefits for a family of four in the state, services for domestic violence victims, and the lag of the number of women killed by their partners to control for changes in underlying domestic violence. Services refer to the number of hotlines and shelter beds per 100,000 women in the city.²⁰ When we include all the additional controls, the estimated negative impact of no-drop policies on males increases (-0.212), but the (insignificant) impact on females declines (-0.088). In the second panel of the table are results of the negative binomial specification in which the outcomes are the number of male and female intimate partner homicides.²¹ The negative and significant impact for males remains: adoption of no-drop is associated with a 20 percent decline in the number of males killed by their intimate partners. In contrast, the impact on the number of women killed ranges from 4 to 6 percent and is never significant.

We also estimate the impact of no-drop policies on intimate partner homicide stratified by age of the victim (35-54 years of age and 20-34 years of age). If no-drop

¹⁹ With the exception of population counts and share black in the city, data for the above controls are collected annually and thus are not merely linear interpolations between census years. This is important as we are identifying the impact of no-drop policies off a non-linear change in policy.

²⁰ Data on services are missing for New York and Charlotte. We assign a value of zero to these missing observations so as not to reduce the sample size. Because the city fixed effects are collinear with these assigned values, they should not affect estimation and when we exclude them from the sample we get similar estimates.

²¹ Hausman, Hall and Grilliches (1984) propose a conditional negative binomial model for panel data. However, Allison and Waterman (2002) argue that this model is not a true fixed effect method because conditioning on the total count for each city does NOT eliminate the intercept from the likelihood function. Rather, Allison and Waterman argue and provide simulation results that suggest that an unconditional negative binomial regression that includes dummy variables for the city fixed effects yields unbiased estimates. The unconditional negative binomial regression results with dummy variables for the fixed effects that are presented in Table 3 are similar to the log linear results and the conditional negative binomial model (xtnbreg in STATA) are considerably smaller (roughly half the size of the unconditional estimates) but significantly different from zero.

policies lead to a decline in male homicides because of substitution of commitment devices, then we argue that we should find greater effects among older men and women who would have time to learn of their difficulty committing.

When we stratify, we find that the impact of no-drop policies on intimate partner homicide is limited to (and considerably stronger for) older victims (-0.233 for males and 0.036 for females for the specification with the full set of controls), consistent with the notion that women need time to learn of their difficulty to commit to leaving without any commitment device (Table 4).

6.1.3 Robustness

In this section we perform a number of robustness checks. First, to assess whether the results are driven by one city, we estimate 49 separate log linear regressions dropping one city from each. We present the resulting distribution of estimates of the coefficient on no-drop policies in Table 5. The median estimate is -0.189 with a 95 percent confidence interval of [-.193, -.183], suggesting that the results are not driven by one city.

An additional concern is that the estimates of the effect of no-drop policies may be capturing downward trends in homicides which are not controlled by year fixed effects. As a second robustness check, we randomly generate no-drop policies and estimate the impact of these randomly generated laws on male and female intimate partner homicide. We repeat this exercise 1000 times. The results are presented in Table 6. The randomly generated no-drop policy has no significant impact on either the number of men or women killed by intimates which suggests that the significant results that we obtain are

not driven by downward trends in homicides unrelated to the adoption of no-drop policies.

When we employ a log-linear model, we necessarily exclude from the analysis any observations in which there are no intimate partner homicides (see Appendix Figure 1). These tend to be smaller cities which receive small weights in the weighted regressions. As a third robustness check, we present results in which we add 1 to the dependent variable so that the observations previously dropped are now included in Panel A of Table 7. We do this for the whole sample and subsample of older victims. The results do not change for the older sample, but are slightly smaller and marginally insignificant for the whole sample.

Finally, it may be that the adoption of no-drop policies coincides with the adoption of other policies that address domestic violence, in which case our estimates of the impact of no-drop policies on intimate partner homicide may suffer from omitted variable bias. To address this issue, in Panel B of Table 7 we present results of log-linear regressions that include controls for other domestic violence policies. These policies include: whether the police have a separate domestic violence unit, whether there is a “pro-arrest” policy for violation of a protection order and whether the city has what is referred to as a “mandatory arrest policy” which requires an officer who suspects domestic violence to arrest the offender. We do not have complete data for these policies, and when we include these measures we lose one third of the sample (and considerable power.) As a result, we lose significance for the full sample results, but not the sample of older victims, where we expect the greatest impact.

In sum, the data support the prediction of our model that the number of batterers who are murdered unambiguously declines with the adoption of no-drop policies. Our findings with respect to females are smaller and insignificant (recall that the model provides no prediction with respect to the effect of no-drop policies on violence against women). We argue that these findings provide evidence against an alternative theory by which women value commitment for strategic reasons to shield them from violence or threats intended to change their minds. If they did, intimate partner homicides against females should also decline, which they do not.

In the next section we explore whether no-drop policies affect reporting and also less extreme violence. For this, we turn to a subset of the data for seven counties in California for which we have additional information.

6.2. Impact of no-drop policies on underlying violence and reporting

6.2.1. Data

For our analysis of the impact of no-drop policies on reporting and less severe violence, we focus on the seven largest counties in California, representing 20 million residents (55 percent of the state) for the years 1990-2000. For this sample we have information on no-drop policies, calls to the 911 reporting domestic violence, the number of men arrested for domestic violence (a second measure of reporting) and the number of women admitted to the hospital as a result of an assault (our measure of less severe

violence).²² The data on 911 calls are available by county and year (for all counties except San Francisco) and the arrest and assault data are available for all seven counties by race, county and year.²³

We use the number of women admitted to the hospital for an assault as our measure of violence.²⁴ This measure is imperfect but is still a useful measure for three reasons: 1) it is the only local-area measure of violence available on a continual basis (and it is available by race and year); 2) it is devoid of any reporting bias as it does not depend on women admitting that they were battered by their partners and 3) since a high proportion of women (76-87 percent) who are assaulted are assaulted by an intimate, most hospital admissions for assault will likely have been caused by an intimate.²⁵

The seven counties vary in the timing of their adoption of no-drop policies. Four of the counties had a no-drop policy in place by 1990. Three of the counties adopted a

²² The seven counties are: Alameda, Fresno, Los Angeles, Sacramento, San Diego, San Francisco and Santa Clara. In all but Los Angeles and San Diego counties, there is only one prosecutor for the entire county so that the presence (or absence) of a no-drop policy applies to all residents in the county (not just those in the largest city). In Los Angeles and San Diego counties, the cities of Los Angeles and San Diego have a separate prosecutor and the information we have on the presence of no-drop policy refers to the city prosecutor, (although it is important to note that 40 percent of the population in Los Angeles and San Diego counties live in Los Angeles and San Diego city, respectively). We consider the measurement error introduced by this in the analyses.

²³ The data on arrests for domestic violence were collected by William Wells and William DeLeon-Granados for the California Department of Justice, Criminal Justice Statistics Center. The data on 911 calls are also maintained by the California Criminal Justice Statistics Center. The data on admissions to the hospital for an assault were calculated by the authors from the California hospital discharge database.

²⁴ The National Crime Victimization Survey sponsored by the Bureau of Justice Statistics is the only time series for 1993 on and these data are not available (under any circumstances) with geographic identifiers. The hospital assault data is imperfect because it includes all women admitted to the hospital for assault and therefore includes those assaulted by non-intimates and also includes only those for whom the injuries were serious enough to warrant hospital admission and excludes all women who were assaulted but did not seek medical attention.

²⁵ Estimates from the NVAWS suggest 76 percent while evidence from a medical chart review of pregnant women admitted to the hospital for assault and presented by Goodwin and Breen (1990), suggests 87 percent.

no-drop policy during the study period: Santa Clara adopted in 1991 and Alameda and Fresno each adopted in 1994.

6.2.2. Results

In Table 8 we present log-linear and negative binomial regression estimates of the impact of no-drop policies on women admitted to the hospital for an assault and men arrested for domestic violence (we interpret the latter as a measure of reporting). These data are available at the county-race-year level (three races, seven counties, 11 years, resulting in 231 observations). Controls include city fixed effects, per capita income, share black and Hispanic, non-intimate homicides, race dummies and race-specific time trends. We also control for whether there is a mandatory arrest policy in place.²⁶ We find no significant impact of no-drop policies on violence as measured by women admitted to the hospital as a result of assaults in the log-linear specification (column 1). As a “falsification check” we also estimate the effect of no-drop policies on hospitalization for car crashes and, as expected, we find no effect (column 2). Similar results hold for the negative binomial specification (columns 6 and 7).

Having established that no-drop policies do not appear to affect underlying violence, we turn to estimating their impact on arrest rates, our first proxy for reporting for which we have information for all seven counties broken down by race.

In Figure 6 we present the number of men arrested for domestic violence in the years immediately before and after a no-drop policy was adopted ($t=0$ in the year the

²⁶Unlike prosecutor offices which tend to be county-wide, police departments are more local in nature and as such their policies with respect to domestic violence also vary at a more local level than the county. We only have information on the police policies of the largest city in each county. Oakland and Fresno adopted mandatory arrest in 1993, LA and San Diego had such a policy in place in 1990 (the beginning of our sample), San Francisco never adopted one, San Jose adopted in 1994 and Sacramento in 1996.

policy is adopted, $t = -1$ in the year before and $t = 1$ in the year after). There is a large increase in the years immediately after the adoption of a no-drop policy. Prior to the adoption of the policy, there does not appear to be much change in arrests, suggesting that the passage of the law does not coincide with underlying trends.

To control for any other changes that might have been coincident with the adoption of no-drop policies and could influence arrests, we turn to regression analysis. In column 3 of Table 8 we present log-linear estimates of the impact of no-drop policies on male arrests for domestic violence, including all controls mentioned above. We find that counties that adopt a no-drop policy witness a 23 percent increase in arrests for domestic violence relative to counties that do not adopt such a policy over this period. When we control for underlying violence (column 4) the result remains. When we control for mandatory arrest (column 5), we find that a policy of mandatory arrests has a very small and insignificant effect on arrests for domestic violence and does not alter the impact of no-drop policies on outcomes. We find similar results with the negative binomial regressions presented in columns 8 - 10.

As noted previously, two of the seven counties (LA and San Diego) have more than one prosecutor's office and our measure of no-drop policies refers to the largest city in each county, introducing considerable measurement error if another city within either county should change its no-drop policies during this period. This did in fact happen in Los Angeles. Within Los Angeles County, LA City (the largest municipality in LA County) adopted a no-drop policy in 1986 but Long Beach City, which is a much smaller city in Los Angeles County, adopted in 1991.²⁷ Since statistics on arrests for domestic

²⁷ As of 2000, 9.5 million reside in LA County of which 461,000 reside in Long Beach and 3.7 million in LA City.

violence are not available separately for LA City and Long Beach, by including LA County in our regressions, we are introducing measurement error. To address this we exclude LA County from the sample and present the results in the second panel of Table 8. Our estimates of the impact of no-drop policies on arrests increase considerably (likely as a consequence of the reduction in measurement error) but do not change for assaults. In the third panel of Table 8 we exclude both LA county and San Diego counties, although we have no evidence that any other city in San Diego County changed its no-drop policy during this period. The results are similar to previous estimates.

However, it could be that the estimated effect on arrests does not just reflect changes in reporting but changes in arrests conditional on reporting. This might happen if police officers are more likely to arrest when prosecution is assured because of a no-drop policy. We show next that no-drop policies increase reporting as measured by calls to 911 reporting domestic violence.

In Table 9 we present evidence of the impact of no-drop policies on the rate of calls to 911 reporting domestic violence per woman age 18-64 in the county. Each observation is a city-year. There are only 66 observations for this analysis (6 counties, 11 years). In column (1) we include city fixed effects, controls for per capita income, share black and Hispanic, non-intimate homicides, linear time trends and mandatory arrest policy.

The estimated impact of no-drop policy on calls to 911 reporting domestic violence is positive but insignificant (column 1), which is not surprising given our limited power. When we condition on the underlying level of violence as measured by female hospitalization for assaults (column 2) and the availability of victim services (column 3),

the estimated effect of a no-drop policy is the same, but more precise (significant at the 10 percent level). Implementation of a no-drop policy is associated with a 14 percent increase in calls to 911 reporting domestic violence, but due to data limitations, we regard these results as supportive of our previous results that no-drop policies increase reporting rather than conclusive.

7. Conclusions

Motivated by the cyclical nature of violent relationships we present a theory of domestic violence that incorporates time inconsistent preferences. Our theory predicts that the adoption of no-drop policies would result in an increase in the reporting of battering to the authorities and, more surprisingly, a decrease in the murder of violent partners. The reason for the latter is that no-drop policies provide women in battering relationships a cheaper commitment to end the relationship than murder.

Consistent with our theory we provide evidence that the adoption of no-drop policies in the US have resulted in a reduction of male homicides by intimates and an increase in reporting of battering. Finally, we find that no-drop policies have had no significant effect on the prevalence of domestic violence as measured by female intimate homicide and female hospitalizations for assault.

Our results underscore the importance of considering the value of commitments when evaluating policies. In particular, we provide evidence that agents may substitute a cheaper public commitment device when one is offered for a more expensive private one.

References

- Ainslie, G. (1991). "Derivation of 'rational' economic behavior from hyperbolic discount curves," *American Economic Review* 81(2), 334–340.
- Aizer, A. (2007) "Wages, Violence and Health and Household," National Bureau of Economic Research Working Paper #13494.
- Allison, P.D. and R.P. Waterman (2002) "Fixed-Effects Negative Binomial Regression Models" *Sociological Methodology*, 32, 247-265.
- Allison, P.D. (1982) "Discrete Time Methods for the Analysis of Event Histories," *Sociological Methodology*, 13, 61-98.
- Angeletos, M., Laibson, DL, Repetto, A., Tobacman, J. and S.Weinberg (2001). "The Hyperbolic Buffer Stock Model: Calibration, Simulation, and Empirical Evaluation," *Journal of Economic Perspectives* 15, 47–68.
- Becker, G.S. and K.M. Murphy (1988). "A Theory of Rational Addiction," *Journal of Political Economy* 96, 675-700.
- Browne A, Saloman A, and S.S. Bassuk (1999). "The Impact of Recent Partner Violence on Poor Women's Capacity to Maintain Work," *Violence Against Women* 5, 393-426.
- Bureau of Justice Statistics (1998). Violence by Intimates: Analysis of Data on Crimes by Current or Former Spouses, Boyfriends, and Girlfriends. NCJ 167237.
- Center for Disease Control and Prevention (2003). Costs of Intimate Partner Violence Against Women in the United States, March, Atlanta.
- Dee, T. (2003). "Until Death Do You Part: The Effects of Unilateral Divorce on Spousal Homicides," *Economic Inquiry* 41(1), 163-82.
- Della Vigna, S. and U. Malmendier (2006). "Paying Not to Go to the Gym," *American Economic Review* 96 (3), 695-719.
- Dockner, E.J. and G. Feichtinger. "Cyclical Consumption Patterns and Rational Addiction." *American Economic Review* 83, 256-63.

Dugan, L., Nagin, D. and R. Rosenfeld (2000). "Exposure Reduction or Backlash? The Effects of Domestic Violence Resources on Intimate Partner Homicide," A Final Report to the National Institution of Justice for Grant # 97WTVX0004.

Dugan, L., Nagin, D. and R. Rosenfeld, (2003). "Exposure Reduction or Retaliation? The Effects of Domestic Violence Resources on Intimate Partner Homicide," *Law & Society Review* 27 (1), 169-98.

Dunford F.W., D. Huizinga and D.S Elliot (1990). *Domestic Violence Experience in Omaha, Nebraska, 1986-1987*. Boulder, CO: University of Colorado at Boulder Institute of Behavioral Science.

Dutton, D.G. (1995). *The Domestic Assault of Women: Psychological and Criminal Justice Perspectives*. UBC Press: Vancouver.

Farmer, A. and J. Tiefenthaler (1996). "Domestic Violence: The Value of Services as Signals," *American Economic Review* 86(2), 274-9.

Field, M.H. and H.F. Field (1973). "Marital Violence and the Criminal Process: Neither Justice nor Peace," *Social Service Review* 47, 221-40.

Ford, D.A. (1983). "Wife Battery and Criminal Justice: A Study of Victim Decision-Making," *Family Relations* 32, 463-75

Ford, D.A. and M.J. Regoli (1992). "The Preventive Impacts of Policies for Prosecuting Wife Batterers," in E.S Buzawa and C.G. Buzawa (eds.), *Domestic Violence: The Changing Criminal Justice Response*. Auburn House: Westport, Connecticut.

Gelles, R.J. (1976). "Abused Wives: Why do they Stay," *Journal of Marriage and the Family*, 659-68.

Gilbert, D.T., M.J. Gill and T.D. Wilson. (2002). "The Future is Now: Temporal Correction in Affective Forecasting," *Organizational Behavior and Human Decision Processes* 88(1), 430-44.

Greenfeld, LA et al (1998) "Violence by Intimates: Analysis of Data on Crimes by Current or Former Spouses, Boyfriends and Girlfriends" US Dept of Justice NCJ-167237.

Griffing S., D. Fish Ragin, R.E. Sage, L. Madry, L.E. Bingham and B.J. Primm (2002). "Domestic Violence Survivors' Self-Identified Reasons for Returning to Abusive Relationships," *Journal of Interpersonal Violence*, 17(3), 306-319.

Grogger, J (1990). "The Deterrent Effect of Capital Punishment: An Analysis of Daily Homicide Counts." *Journal of the American Statistical Association*, 85 (410), 295-303.

Gruber, J. and S. Mullainathan (2002). "Do Cigarette Taxes Make Smokers Happier?" NBER WP8872.

Gruber, J and B. Koszegi (2001) "Is Addiction 'Rational'? Theory and Evidence," *Quarterly Journal of Economics* 116(4): 1261-303

Haley, J. (1992). "A Study of Women Imprisoned for Homicide." Georgia Department of Corrections, June.

Hausman, J., Hall, B. and Z. Griliches (1984). "Econometric Models for Count Data with an Application to the Patents-R&D Relationship." *Econometrica* 52:909-38.

Iyengar, R. (2007). "Does the Certainty of Arrest Reduce Domestic Violence? Evidence from Mandatory and Recommended Arrest Laws." NBER Working Paper #13186

Jones, A.S., Capmbell, J.C. and Scholleberger, J. et al. (1999). "Annual and Lifetime Prevalence of Partner Abuse in a Sample of Female HMO enrollees" *Women's Health Issues* 9(6), 295-305.

Koss M., P. Koss and J. Woodruff (1991). "Deleterious Effects of Criminal Victimization on Women's Health and Medical Utilization," *Archives of Internal Medicine* 151, 342-7.

Laibson, D.I. (1997). "Golden Eggs and Hyperbolic Discounting," *Quarterly Journal of Economics* 112, 443-77.

Laibson, D.I. (2001). "A Cue-Theory of Consumption." *Quarterly Journal of Economics* 116, 81-119.

Lloyd, S. and N. Taluc (1999). "The Effects of Male Violence on Female Employment," *Violence Against Women* 5, 370-92.

Lowenstein, G.F. and D. Prelec. (1992). "Anomalies in Intertemporal Choice: Evidence and Interpretation," *Quarterly Journal of Economics* 107(2), 573-97

Loewenstein, G.F. (1996). "Out of Control: Visceral Influences on Behavior." *Organizational Behavior and Human Decision Processes* 65(3), 272-92.

- Loewenstein, G., E. Weber, C. Hsee and N. Welch. (2001). "Risk as Feelings," *Psychological Bulletin* 127(2), 267-86.
- Madrian, B.C. and D. Shea (2001). "The Power of Suggestion: Inertia in 401(k) Participation and Savings Behavior," *Quarterly Journal of Economics* 116, 1149–87.
- O'Donoghue, T. and M. Rabin. (1999). "Doing it Now or Later," *American Economic Review*, 89(1), 103-24.
- Palacios-Huerta, I. (2003). "Multiple Addictions," mimeo, Brown University.
- Parker, B., J. McFarlane and K. Soeken (1994). "Abuse During Pregnancy: Effects on Maternal Complications and birth Weight in Adult and Teenage Women" *Obstetrics and Gynecology*, 84(3), 323-8.
- Parnas, R.I. (1973). "Prosecutorial and Judicial Handling of Family Violence," *Criminal Law Bulletin* 9.
- Phelps, E. and R.A. Pollak (1968) "On Second-Best National Saving and Game-Equilibrium Growth," *Review of Economic Studies* 35(2), 185-199.
- Pollak, R.A. (2004). "An Intergenerational Model of Domestic Violence," *Journal of Population Economics* 17(2), 311-29.
- Read, D. and van Leeuwen, B. (1998). "Predicting Hunger: The Effects of Appetite and Delay on Choice," *Organizational Behavior and Human Decision Processes*, 76(2), 189–205.
- Ryder, H.E. and G.M. Heal (1973). "Optimum Growth with Intertemporally Dependent Preferences," *Review of Economic Studies* 40, 1-33.
- Sagot, M. (2000). *La ruta crítica de las mujeres afectadas por la violencia intrafamiliar en América Latina: estudios de casos en diez países*. OPS.
- Smith, B.E., R. Davis, L.B. Nickles and H.J. Davies (2001). "An evaluation of efforts to implement no-drop policies: two central values in conflict." American Bar Association.
- Stevenson, B. and J. Wolfers (2006). "Bargaining in the Shadow of the Law: Divorce Laws and Family Distress," *Quarterly Journal of Economics* 121(1), 267-88.

- Strube, M.J. (1988). "The Decision to Leave an Abusive Relationship: Empirical Evidence and Theoretical Issues," *Psychological Bulletin*, 104(2), 236-50.
- Strotz, R.H. (1956). "Myopia and Inconsistency in Dynamic Utility Maximization," *Review of Economic Studies* 23, 165-80.
- Tauchen, H.V., A.D. Witte and S.K. Long (1991). "Violence in the Family: A Non-random Affair," *International Economic Review* 32(2), 491-511.
- Tauchen, H.V. and AD Witte (1995). "The Dynamics of Domestic Violence," *American Economic Review* 85(2), 414-8.
- Tjaden, P. and N. Thoennes (2000a). "Extent Nature and Consequences of Intimate Partner Violence: Findings from the NSVAW", NCJ 181867.
- Tjaden, P. and N. Thoennes (2000b). "Full Report of the Prevalence, Incidence and Consequences of Violence Against Women: Findings from the NSVAW", NCJ 183781.
- Walker, L. (1979). *The Battered Woman*. New York: Harper & Row.
- Wilson, T.D. and Gilbert, D.T. (2003). Affective forecasting. In M. P. Zanna (Ed.), *Advances in experimental social psychology* (Vol. 35, pp. 345-411). San Diego: Academic Press.
- WHO, World Report on Violence and Health, Geneva, 2002.

Table 1: Year No-Drop Policy Adopted by City

City	Year Adopted	2000 population
Albuquerque	1987	448,607
Atlanta	1993	416,474
Austin	1994	656,562
Boston	1992	589,141
Buffalo	1995	292,648
Charlotte	1993	540,828
Chicago		2,896,016
Cincinnati	1995	331,285
Cleveland	1992	478,403
Columbus		711,470
Dallas	1995	1,188,580
Denver	1986	554,636
Detroit	1994	951,270
El Paso	1989	563,662
Fort Worth	1991	534,694
Fresno	1996	922,516
Honolulu	1991	371,657
Houston	1994	1,953,631
Indianapolis	1989	791,926
Jacksonville	1992	735,617
Kansas City	1994	441,545
Long Beach	1991	461,522
Los Angeles	1986	3,694,820
Memphis	1995	650,100
Miami	1986	362,470
Milwaukee	1994	596,974
Minneapolis	1993	382,618
Nashville	1994	569,891
New Orleans	1996	484,674
New York	1990	8,008,278
Oakland	1994	399,484
Oklahoma City	1996	506,132
Omaha	1976	390,007
Philadelphia		1,517,550
Phoenix	1984	1,321,045
Pittsburgh		334,563
Portland	1987	529,121
Sacramento	1984	407,018
San Antonio	1990	1,144,646
San Diego	1984	1,223,400
San Francisco	1989	776,733
San Jose	1994	894,943
Seattle		563,374
St Louis		348,189
Toledo	1988	313,619
Tucson	1996	486,699
Tulsa	1996	393,049
Virginia Beach	1996	425,257
Washington	1996	572,059
Total 49 cities		44,129,403
US population		281,421,906
Percent of total		15.7%

Table 2: Predicting No-Drop Policies - Discrete Time Hazard Models

	(1)	(2)
Share population black	0.005 [0.005]	-0.001 [0.001]
Employment rate	-0.216 [0.197]	0.039 [0.037]
Average wage (real)	-0.007 [0.024]	-0.009 [0.011]
AFDC benefits \$ (in 100s)	0.024 [0.031]	0.014 [0.011]
Male labor force participation	3.834 [2.144]	0.632 [0.471]
Female labor force participation	-1.307 [2.098]	0.005 [0.499]
Male median earnings (in 1000s)	0.013 [0.023]	-0.013 [0.011]
Female median earnings (in 1000s)	0.003 [0.032]	0.021 [0.016]
% of men 25 + with at least 4 yrs college	-0.072 [0.026]	-0.006 [0.006]
% of females 25 + with at least 4 yrs college	0.02 [0.028]	0.001 [0.009]
Lagged female IPH rate per 1000	-0.836 [0.796]	-0.902 [0.716]
Lagged male IPH rate per 1000	1.154 [0.979]	1.134 [0.861]
Lagged nonintimate homicide rate per 1000	-0.033 [0.015]	-0.001 [0.012]
Policy mandatory arrest for domestic violence	0.164 [0.141]	0.133 [0.103]
Police domestic violence unit	-0.106 [0.099]	-0.057 [0.086]
Shelter beds per 1000 population	-0.009 [0.221]	0.082 [0.074]
DV hotlines per 1000 population	3.053 [5.620]	-2.342 [3.913]
Observations	731	731
R-squared	0.31	0.21

Robust standard errors in brackets

Column 1 includes city and year fixed effects

Column 2 includes year fixed effects

Table 3: Impact of No-Drop Policies on Intimate Partner Homicides

Panel A: Log-Linear Regression

	(1) Male	(2) Female	(3) Male	(4) Female	(5) Male	(6) Female
No-drop policy	-0.201 [0.112]	-0.1 [0.140]	-0.19 [0.115]	-0.089 [0.149]	-0.212 [0.114]	-0.088 [0.144]
City and year fixed effects, ln(population)	Y	Y	Y	Y	Y	Y
Control for share black & non-intimate homicide	Y	Y	Y	Y	Y	Y
Control for county wages, employment rate & AFDC benefits			Y	Y	Y	Y
Control for domestic violence services (hotlines and beds)					Y	Y
Control for ln(lag women killed)					Y	Y
Observations	844	949	844	949	746	842
R-squared	0.79	0.78	0.79	0.78	0.78	0.77

Panel B: Negative Binomial Regression

	(1) Male	(2) Female	(3) Male	(4) Female	(5) Male	(6) Female
No-drop policy	-0.212 [0.087]	-0.062 [0.065]	-0.218 [0.089]	-0.061 [0.068]	-0.231 [0.090]	-0.039 [0.067]
City and year fixed effects, population	Y	Y	Y	Y	Y	Y
Control for share black & non-intimate homicide	Y	Y	Y	Y	Y	Y
Control for county wages, employment rate & AFDC benefits			Y	Y	Y	Y
Control for domestic violence services (hotlines and beds)					Y	Y
Control for ln(lag women killed)					Y	Y
Observations	1009	1009	1009	1009	960	960
Interpretation	-19%	-6%	-20%	-6%	-21%	-4%

Robust standard errors in brackets

Table 4: Impact of No-Drop Policies on Intimate Homicides Stratified by Age of the Victim, Log-Linear Specification

Panel A: Older Victims (35-55 years old)

	(1) Male	(2) Female	(3) Male	(4) Female	(5) Male	(6) Female	(7) Male	(8) Female
No-drop policy	-0.303 [0.113]	0.003 [0.090]	-0.277 [0.113]	0.008 [0.093]	-0.4 [0.129]	-0.009 [0.102]	-0.233 [0.116]	0.036 [0.097]
City and year fixed effects, ln(population)	Y	Y	Y	Y	Y	Y	Y	Y
Control for share black & non-intimate homicide	Y	Y	Y	Y	Y	Y	Y	Y
Control for county wages, employment rate & AFDC benefits			Y	Y	Y	Y	Y	Y
Control for domestic violence services					Y	Y	Y	Y
Control for ln(lag women killed)					Y	Y		
Control for ln(lag women killed by partners +1)							Y	Y
Control for male and female education, employment and wages							Y	Y
Observations	678	760	678	760	501	566	637	725
R-squared	0.72	0.72	0.72	0.72	0.72	0.71	0.74	0.71

Panel B: Younger Victims (20-34 years old)

	(1) Male	(2) Female	(3) Male	(4) Female	(5) Male	(6) Female	(7) Male	(8) Female
No-drop policy	0.119 [0.109]	0.009 [0.082]	0.115 [0.108]	0.034 [0.084]	0.096 [0.109]	0.049 [0.084]	0.095 [0.100]	0.078 [0.088]
City and year fixed effects, ln(population)	Y	Y	Y	Y	Y	Y	Y	Y
Control for share black & non-intimate homicide	Y	Y	Y	Y	Y	Y	Y	Y
Control for county wages, employment rate & AFDC benefits			Y	Y	Y	Y	Y	Y
Control for domestic violence services					Y	Y	Y	Y
Control for ln(lag women killed)					Y	Y		
Control for ln(lag women killed by partners +1)							Y	Y
Control for male and female education, employment and wages							Y	Y
Observations	678	866	678	866	640	824	640	824
R-squared	0.73	0.75	0.73	0.75	0.74	0.75	0.76	0.76

Robust standard errors in brackets

Table 5: Dropping 1 City at a Time:
Distribution of Coefficients from Log Linear Regression

	Males
Minimum	-0.133
Maximum	-0.219
Median	-0.189
Mean	-0.188
Standard Deviation	0.017
95 % CI	[-0.193, -0.183]

Table 6: Randomly Generated No-Drop Policy:
Distribution of Coefficients from Log Linear Regression (based on 1000 simulations)

	Males	Females
Minimum	-0.168	-0.201
Maximum	0.191	0.19
Mean	0.0007	0.0005
Median	0.0000	-0.0020
Standard Deviation	0.065	0.067
95 % CI	[-0.0025, 0.0020]	[-0.0017, 0.0023]

Table 7: Impact of No-Drop Policies on Intimate Homicides, Robustness

Panel A: Log-Linear Specification Adding 1 to Dependent Variable

	All Victims		Older Victims	
	(1) Male	(2) Female	(3) Male	(4) Female
No-drop policy	-0.141 [0.111]	-0.027 [0.107]	-0.232 [0.111]	0.004 [0.108]
City and year fixed effects, ln(population)	Y	Y	Y	Y
Control for share black & non-intimate homicide	Y	Y	Y	Y
Control for county wages & employment rate	Y	Y	Y	Y
Control for domestic violence services	Y	Y	Y	Y
Control for ln (lag women killed by partners +1)	Y	Y	Y	Y
Observations	960	960	960	960
R- Squared	0.73	0.71	0.72	0.69

Panel B: Log-Linear Specification Controlling for Other Domestic Violence Policies

	All Victims		Older Victims	
	(1) Male	(2) Female	(3) Male	(4) Female
No-drop policy	-0.146 [0.091]	-0.102 [0.151]	-0.191 [0.113]	0.02 [0.121]
Police pro-arrest policy for PO violation	-0.26 [0.099]	-0.046 [0.132]	-0.324 [0.095]	0.115 [0.147]
Policy mandatory arrest for domestic violence	-0.061 [0.107]	0.152 [0.160]	-0.125 [0.109]	0.017 [0.147]
Police domestic violence unit	-0.081 [0.141]	-0.126 [0.107]	-0.357 [0.201]	-0.181 [0.111]
City and year fixed effects, population	Y	Y	Y	Y
Control for share black & non-intimate homicide	Y	Y	Y	Y
Control for county wages, employment rate & AFDC benefits	Y	Y	Y	Y
Control for domestic violence services	Y	Y	Y	Y
Control for lag ln(women killed)	Y	Y	Y	Y
Observations	707	802	564	652
R-squared	0.79	0.77	0.75	0.71

Robust standard errors in brackets

Table 8: Impact of No-Drop Policies on Assaults Against Women and Arrests for Domestic Violence: Negative Binomial and Log Linear Specifications

Panel A: All Counties

	Log Linear Regressions					Negative Binomial Regressions				
	(1) Ln(female assaults)	(2) Ln(car crashes)	(3) Ln(arrests)	(4) Ln(arrests)	(5) Ln(arrests)	(6) Female assaults	(7) Car crashes	(8) Arrests	(9) Arrests	(10) Arrests
No drop policy	-0.075 [0.089]	-0.057 [0.042]	0.234 [0.069]	0.243 [0.070]	0.24 [0.080]	-0.13 [0.085]	-0.091 [0.052]	0.203 [0.054]	0.131 [0.053]	0.186 [0.073]
Per capita income	-0.031 [0.011]	-0.006 [0.007]	-0.007 [0.009]	-0.004 [0.008]	-0.004 [0.008]	-0.059 [0.014]	-0.023 [0.007]	-0.022 [0.007]	-0.016 [0.007]	-0.017 [0.007]
Employment rate	1.964 [1.116]	3.448 [0.637]	-2.338 [0.984]	-2.566 [1.004]	-2.578 [1.019]	4.552 [0.976]	5.821 [0.772]	-0.629 [1.053]	-3.233 [0.973]	-3.023 [0.975]
Non-Intimate Homicide Rate	0.008 [0.002]	0.004 [0.001]	-0.003 [0.003]	-0.004 [0.004]	-0.004 [0.004]	0.035 [0.003]	0.029 [0.001]	0.025 [0.002]	0.009 [0.003]	0.009 [0.003]
Female population in 1000s						0.002 [0.000]	0.002 [0.000]	0.002 [0.000]	0.001 [0.000]	0.001 [0.000]
Ln(female population)	1.121 [0.058]	0.997 [0.034]	1.216 [0.077]	1.082 [0.135]	1.082 [0.136]					
Shelters for victims of DV	-0.057 [0.029]	0.012 [0.018]	-0.057 [0.022]	-0.05 [0.022]	-0.05 [0.024]	-0.046 [0.024]	0.018 [0.017]	-0.046 [0.030]	0.002 [0.032]	-0.005 [0.033]
White	22.509 [22.572]	67.614 [15.140]	-54.46 [33.897]	-57.435 [34.807]	-57.583 [34.744]	252.446 [43.500]	277.956 [24.573]	180.402 [39.500]	133.165 [26.658]	134.935 [26.771]
Hispanic	59.709 [21.736]	27.952 [13.249]	25.962 [22.237]	18.735 [24.005]	18.6 [23.785]	209.91 [28.733]	135.102 [28.146]	136.654 [29.285]	73.474 [25.515]	76.413 [25.600]
Female assaults									0.003 [0.000]	0.003 [0.000]
Ln(female assaults)				0.119 [0.084]	0.119 [0.084]					
Mandatory arrest					0.005 [0.082]					-0.092 [0.071]
Observations	231	231	224	224	224	231	231	231	231	231
R-squared	0.97	0.98	0.92	0.92	0.92					
Interpretation						-12%	-9%	23%	14%	20%

Panel B: Excluding LA County

	Log Linear Regressions					Negative Binomial Regressions				
	Ln(female assaults)	Ln(car crashes)	Ln(arrests)	Ln(arrests)	Ln(arrests)	Female assaults	Car crashes	Arrests	Arrests	Arrests
No drop policy	-0.034 [0.094]	-0.024 [0.039]	0.236 [0.086]	0.24 [0.084]	0.24 [0.078]	-0.055 [0.082]	-0.059 [0.047]	0.195 [0.065]	0.131 [0.057]	0.153 [0.061]
Observations	198	198	191	191	191	198	198	198	198	198
R-squared	0.89	0.98	0.61	0.61	0.61					
Interpretation						-5%	-6%	22%	14%	17%

Panel C: Excluding LA and San Diego

	Log Linear Regressions					Negative Binomial Regressions				
	Ln(female assaults)	Ln(car crashes)	Ln(arrests)	Ln(arrests)	Ln(arrests)	Female assaults	Car crashes	Arrests	Arrests	Arrests
No drop policy	-0.004 [0.109]	0.022 [0.041]	0.322 [0.086]	0.322 [0.086]	0.285 [0.079]	0.049 [0.090]	0.04 [0.040]	0.296 [0.064]	0.223 [0.059]	0.181 [0.057]
Observations	165	165	158	158	158	165	165	165	165	165
R-squared	0.86	0.96	0.49	0.49	0.49					
Interpretation						5%	4%	34%	25%	20%

Robust standard errors in brackets

All regressions include county fixed effects and race-specific linear time trends

Table 9: Impact of No-Drop Policy on Rate of Calls Reporting Domestic Violence

	(1)	(2)	(3)
No-drop policy	0.004 [0.003]	0.005 [0.003]	0.005 [0.003]
Per capita income in 1000s	0.554 [0.546]	0.326 [0.496]	0.333 [0.517]
Employment rate	-0.253 [0.068]	-0.25 [0.059]	-0.251 [0.062]
Non-intimate homicide rate	-0.008 [0.014]	-0.021 [0.014]	-0.021 [0.015]
Share black	0.54 [0.260]	0.224 [0.226]	0.231 [0.242]
Share hispanic	0.384 [0.160]	0.056 [0.131]	0.058 [0.133]
Mandatory arrest	-0.002 [0.003]	0.001 [0.003]	0.001 [0.003]
Female assaults per 1000 pop.		0.055 [0.016]	0.055 [0.018]
Shelters per 1000 female pop.			0.061 [0.704]
Observations	66	66	66
R-squared	0.65	0.72	0.72

Robust standard errors in brackets

Dependent variable is the number of calls per woman age 15-44 in the county (average =0.037)

Figure 3:
Intimate Homicide Victims by Sex:
1979-1996 National

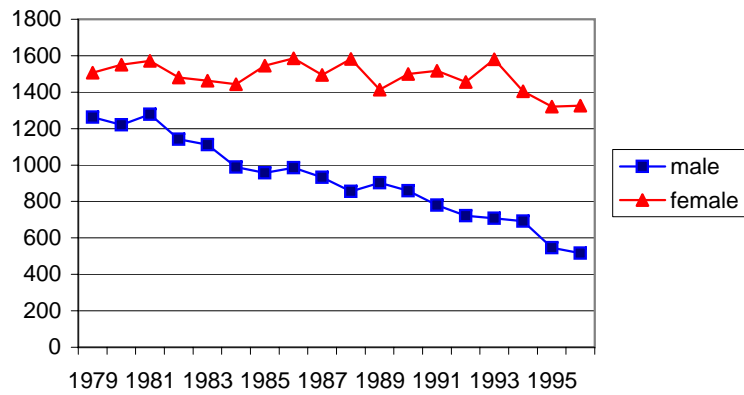


Figure 5:
Average Number of Intimate Homicides per
City Before and After No-Drop Policies

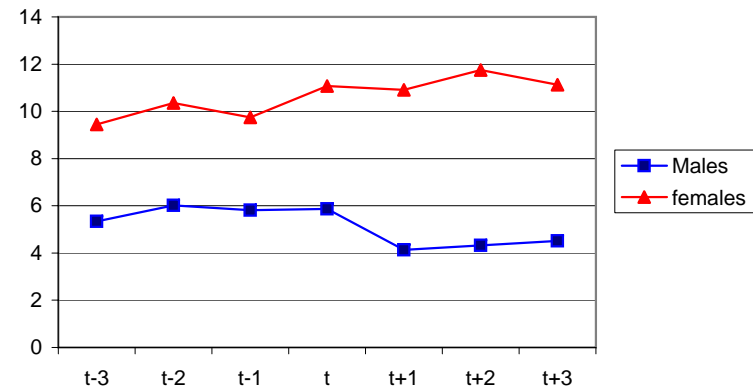


Figure 4:
Intimate Homicide Victims by Sex:
1979-1996 49 Cities

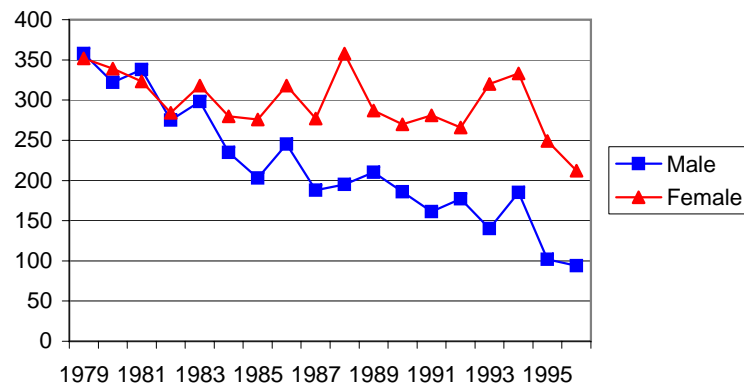
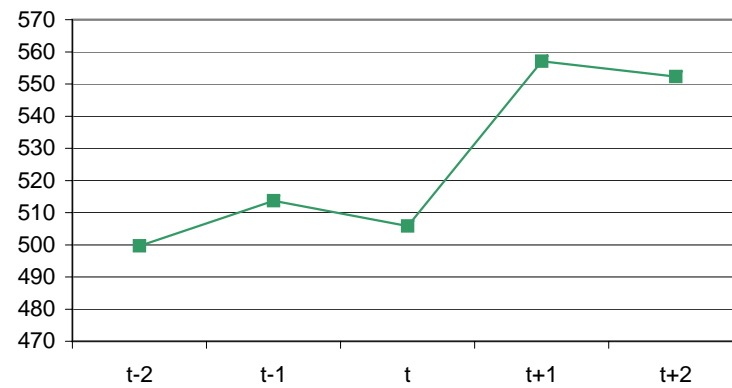


Figure 6:
No-drop Policies and Arrests for Domestic
Violence



Appendix Table 1: Means for 49 City Sample

Number of Female Intimate Partner Homicides	12.5
Number of Male Intimate Partner Homicides per 100,000	8.8
Rate of Female Intimate Partner Homicides per 100,000	2.1
Rate of Male Intimate Partner Homicides per 100,000	1.6
Non-intimate Partner Homicides per 100,000	16.8
Share black	0.23
AFDC benefits family of 4	446
Male median earnings (in 1000s)	0.738
Female median earnings (in 1000s)	0.554
% of men 25 + with at least 4 yrs college	24
% of females 25 + with at least 4 yrs college	18
Shelter beds per 100,000 women	20.3
Domestic Violence hotlines per 100,000	0.828

Appendix Table 2: Means for Seven Counties in California Sample

	All	White	Black	Hispanic
Female Assaults per 100,000 women	34.3	19.37	136.17	24.07
Male arrests for Domestic Violence per 1000 men	7.03	3.85	18.34	7.76
Non-Intimate Homicide Rate per 100,000	16.32	4.43	51.96	20.88
Per capita income	\$27,630			
Employment to population ratio	0.484			
Shelters per 100,000 women	1.9			
Calls reporting domestic violence per 100,000 women	3584			
Means weighted by number of women age 15-44				
Calls excludes San Francisco				

Appendix Figure 1 Annual Number of Intimate Homicides 49 Cities

